

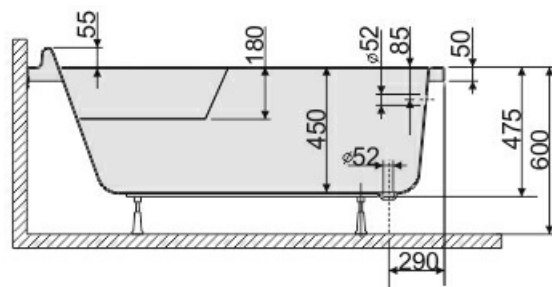
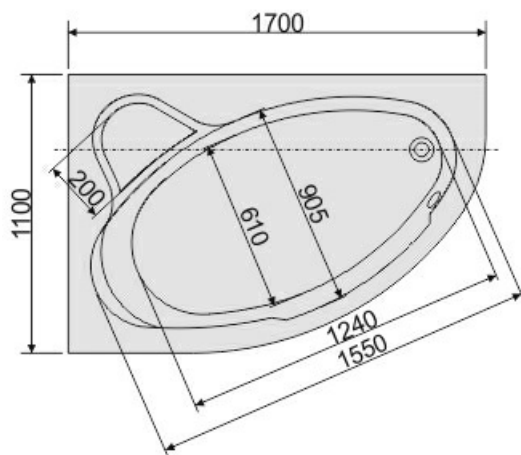
Bathtub WAL/CO 110x170+STW biew

ASYMMETRICAL BATHTUB

Product number: 610-060-0440-01-000



In standard, the asymmetrical bathtub has sides of different length and it is a corner bathtub. Asymmetric bathtubs of the Comfort series - WAL(P)/CO are distinguished by a characteristic form with a seat. Its shape is rounded, soft and specially designed for maximum comfort of use. Asymmetrical bathtub is available in the left or right version with a depth of 45 cm. It is made of sanitary acrylic and completed with a frame. The wide dimensional palette makes it easier to choose the bathtub inside the different sizes of the bathrooms. Asymmetrical form allows you to arrange the bathtub in each interior. The offer of the asymmetric bathtub of the Comfort series is a product that has been highly appreciated by customers for many years.



Dimensions type WAL/CO 110x170+STW

Colour Eurowhite

Material Acrylic

Standard equipment - frame,
- manual instruction.

Capacity (l) 210

Orientation Left